

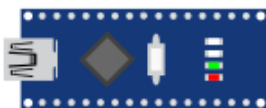
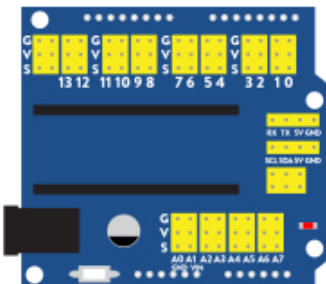
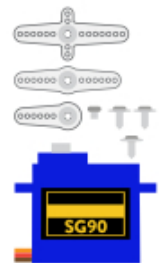
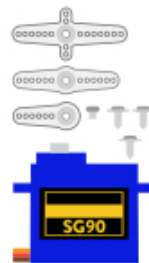
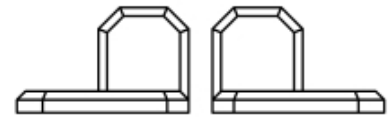
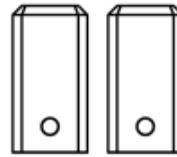
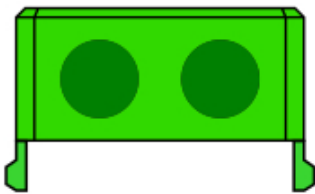


Otto DIY builder kit

 beginner

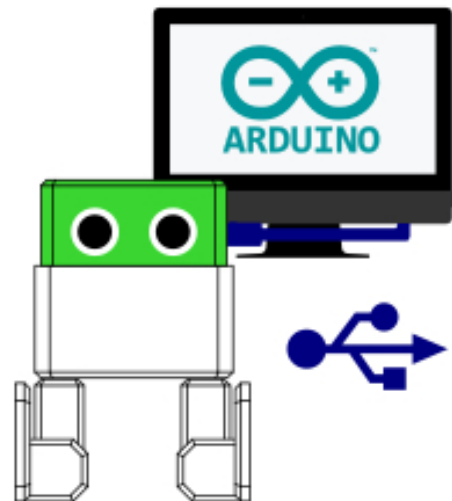
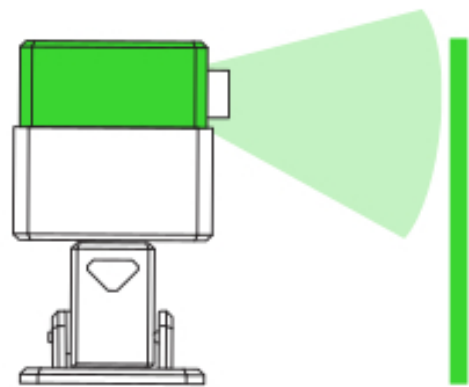
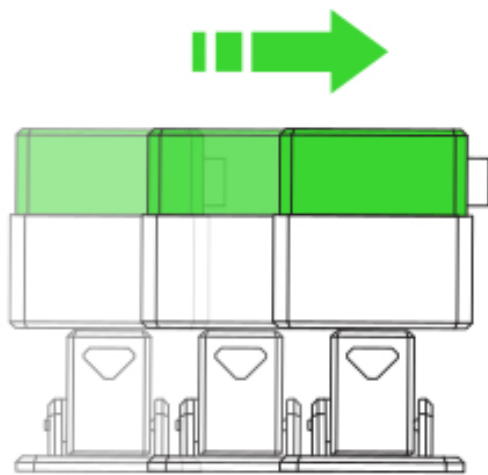


Version 9



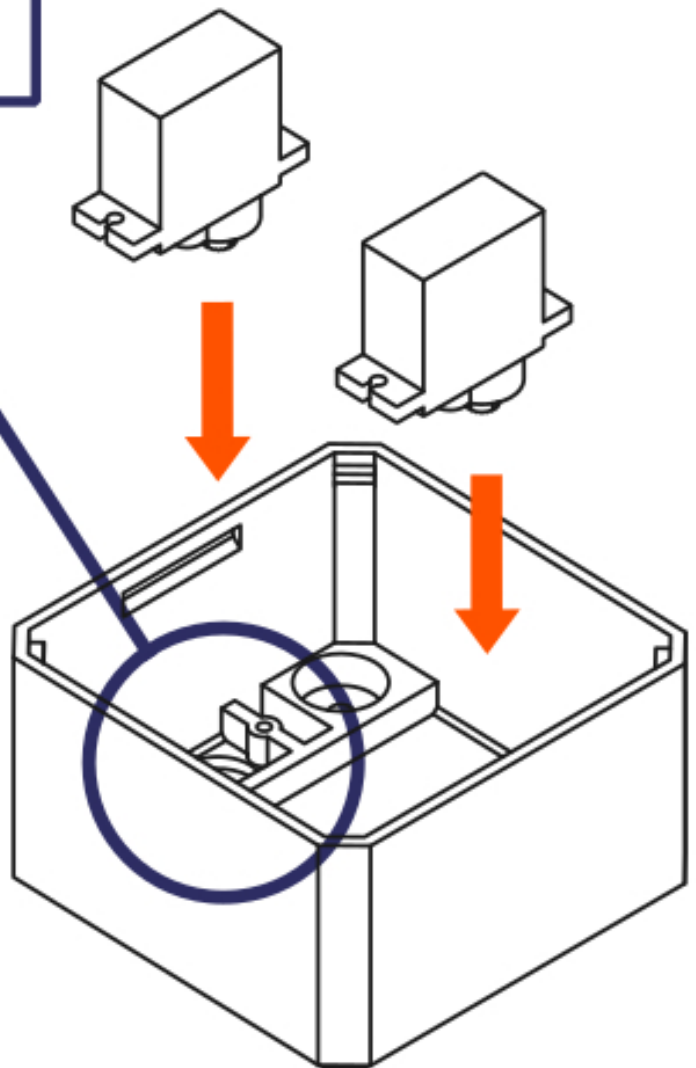
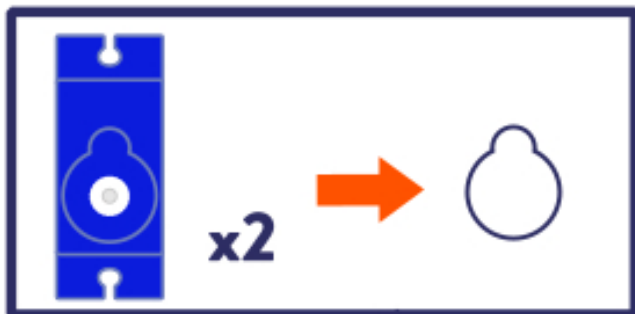
WARNING: CHOKING HAZARD
Small parts: NOT for children under 3 years





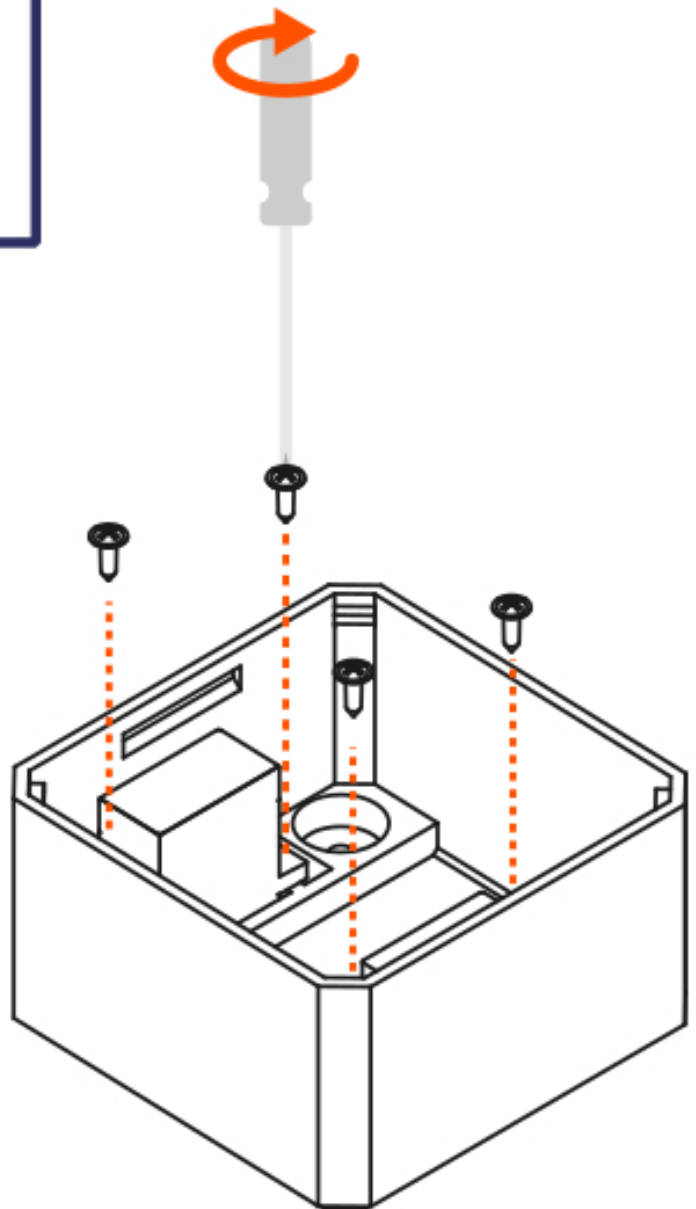


1



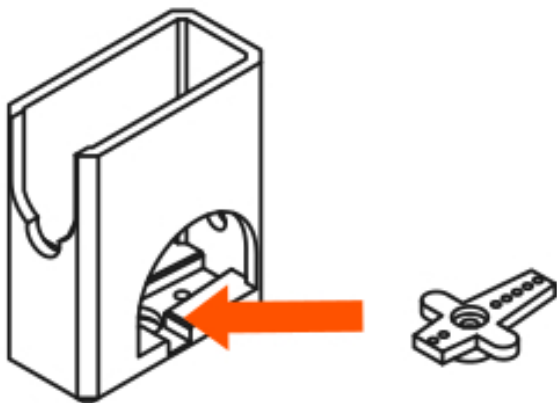
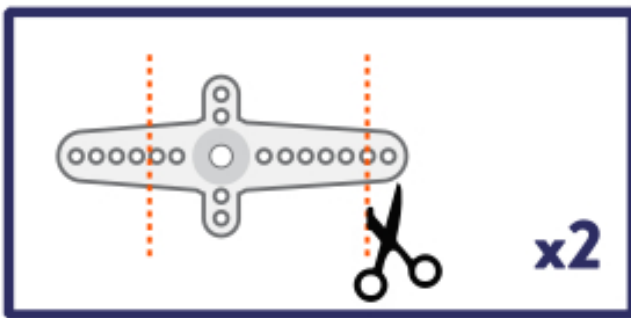


2



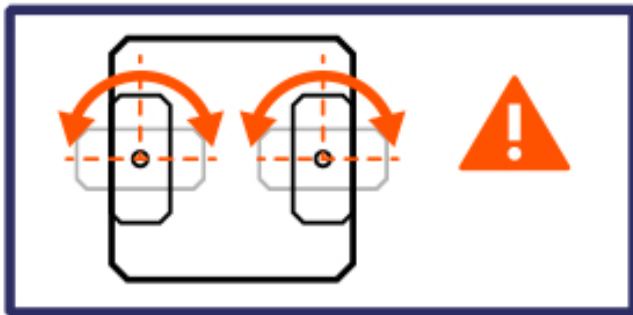


3

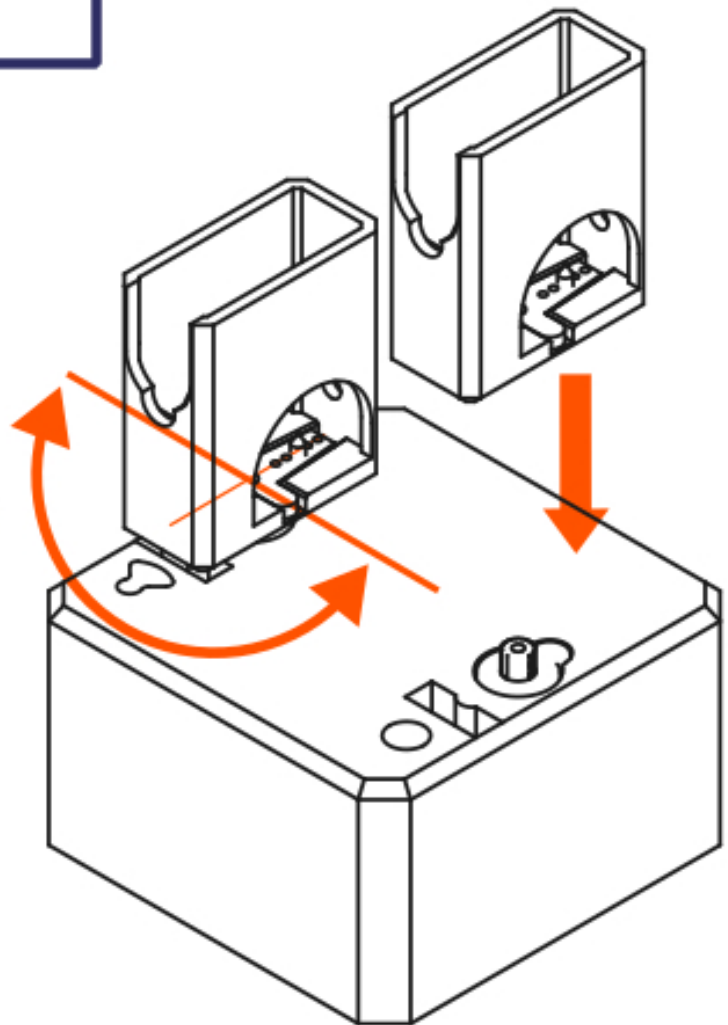




4

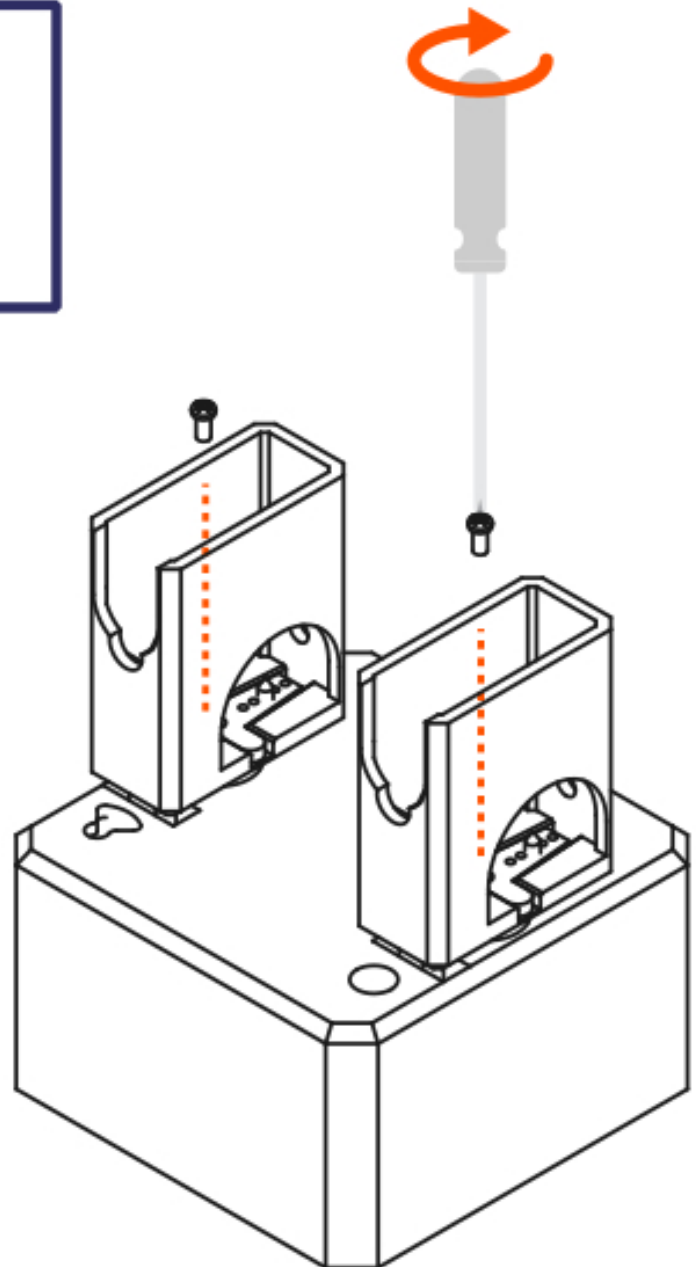
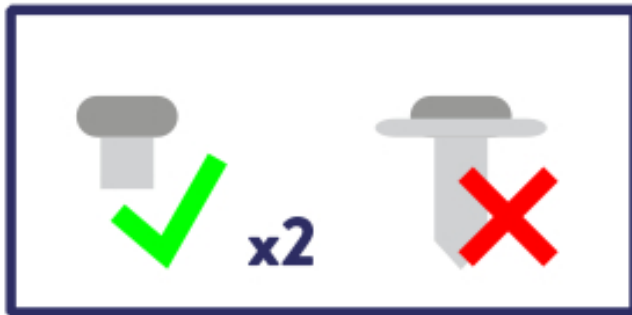



180°



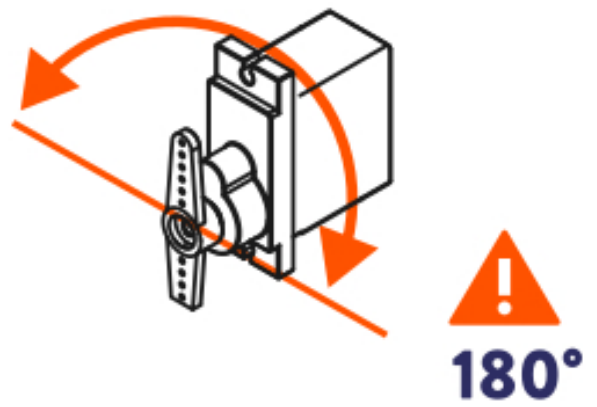
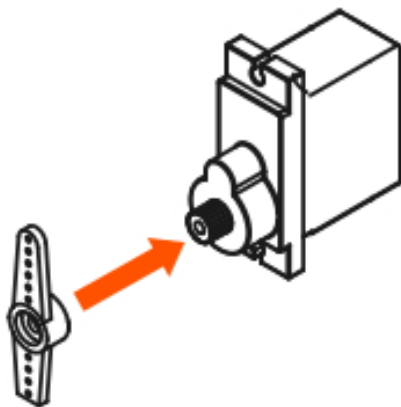
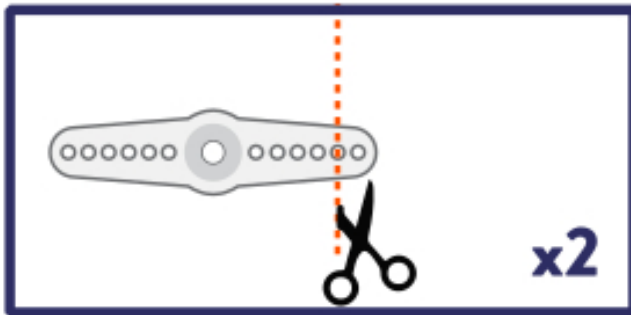


5



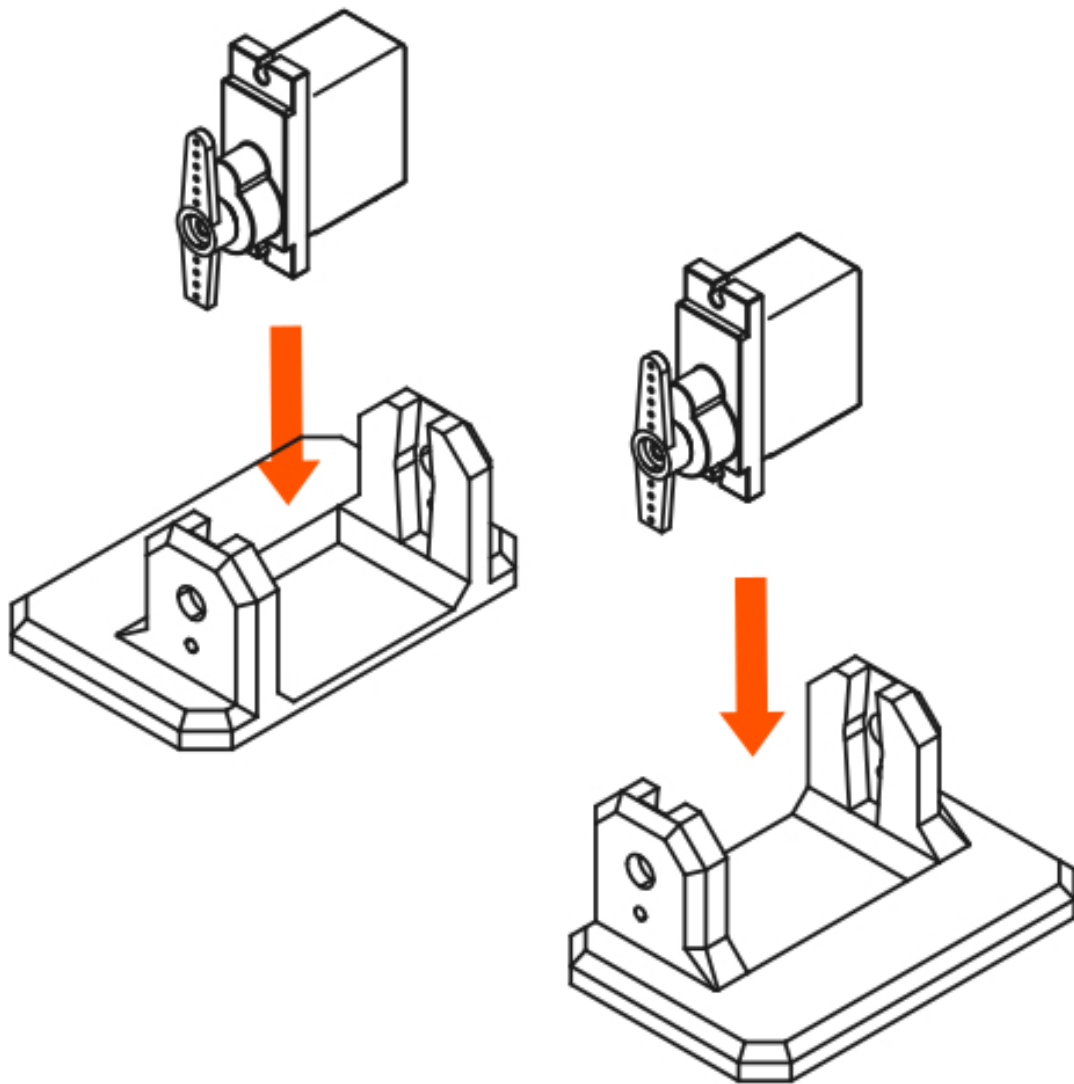


6



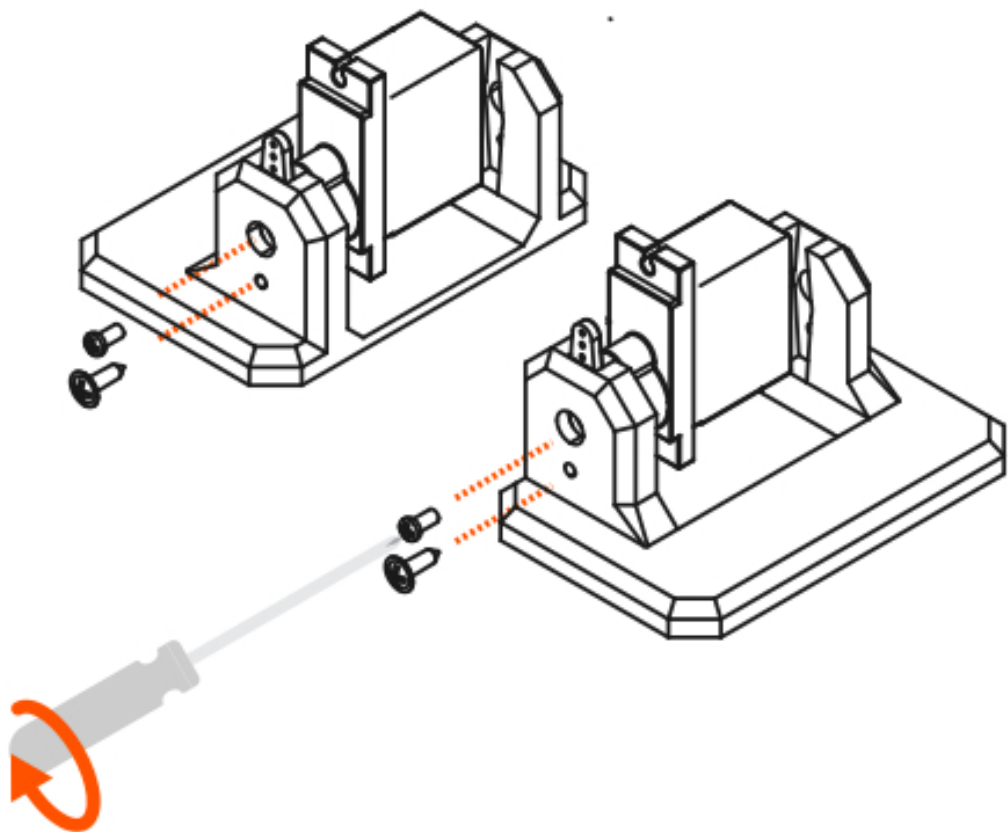


7



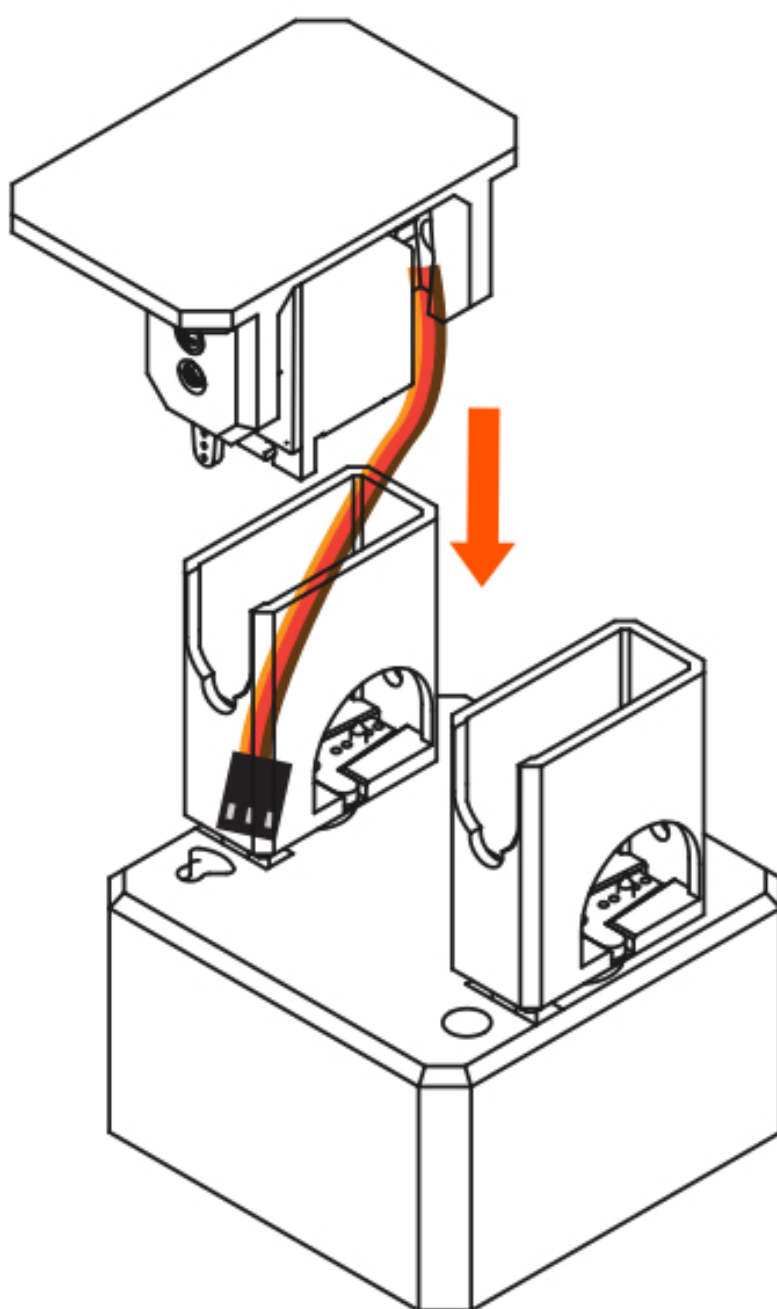


8



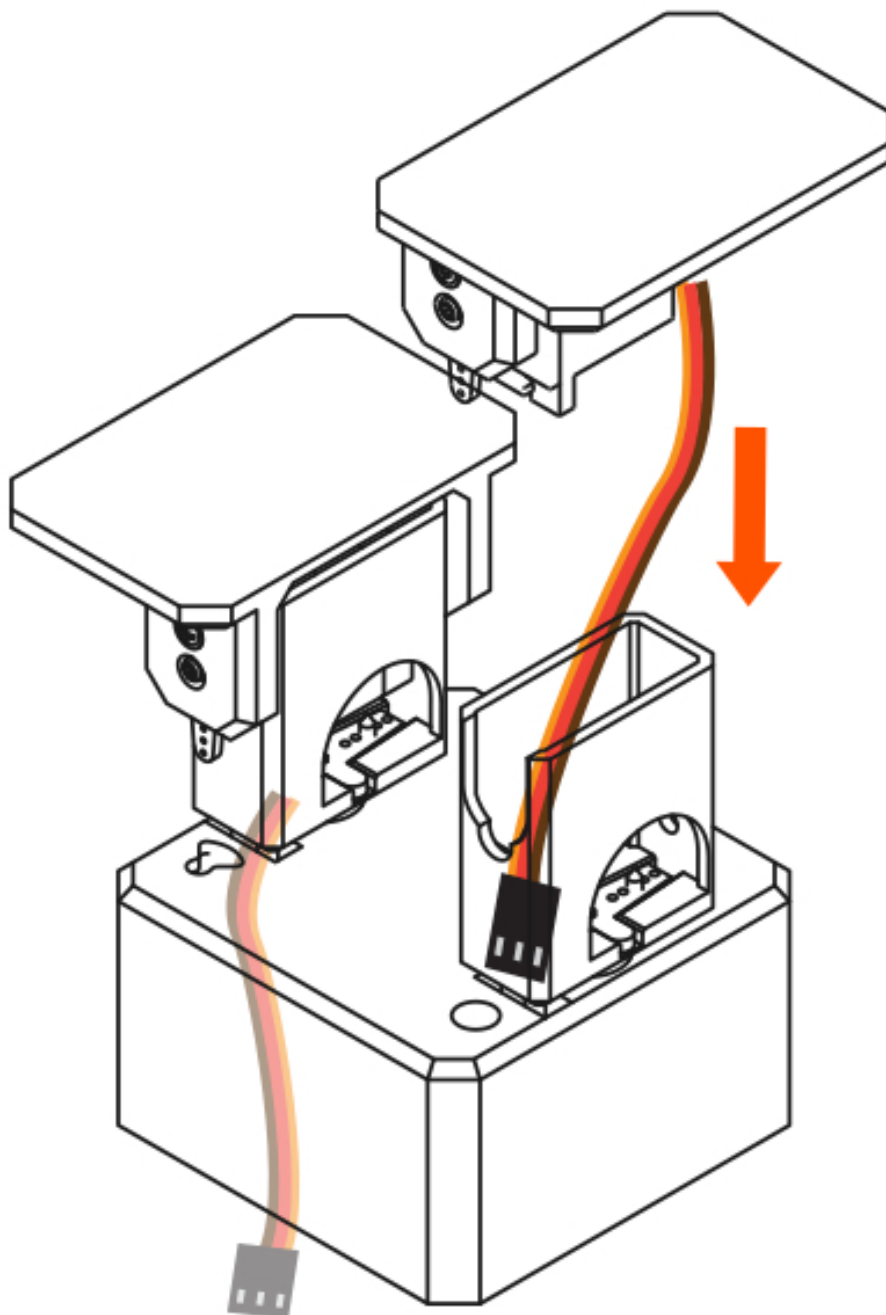


9



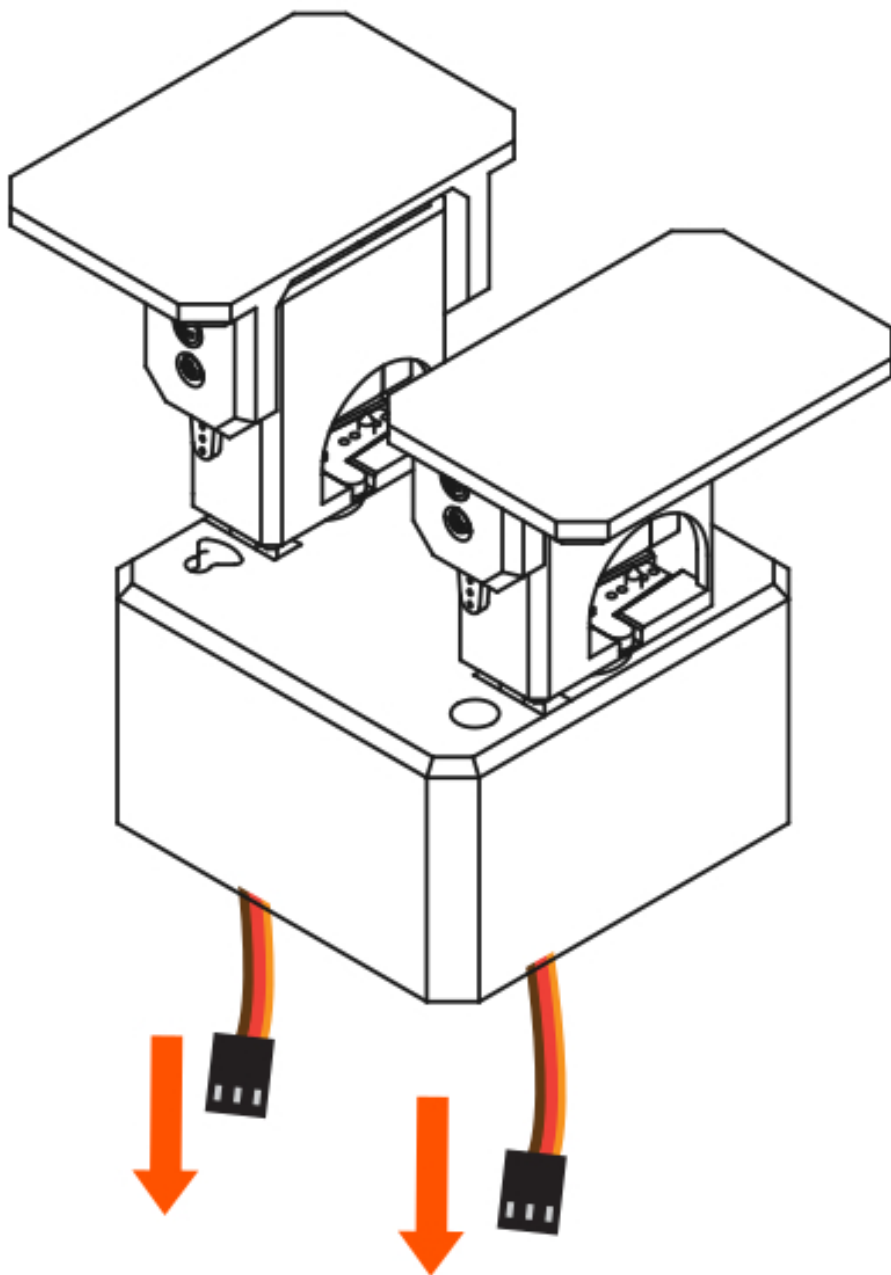


10



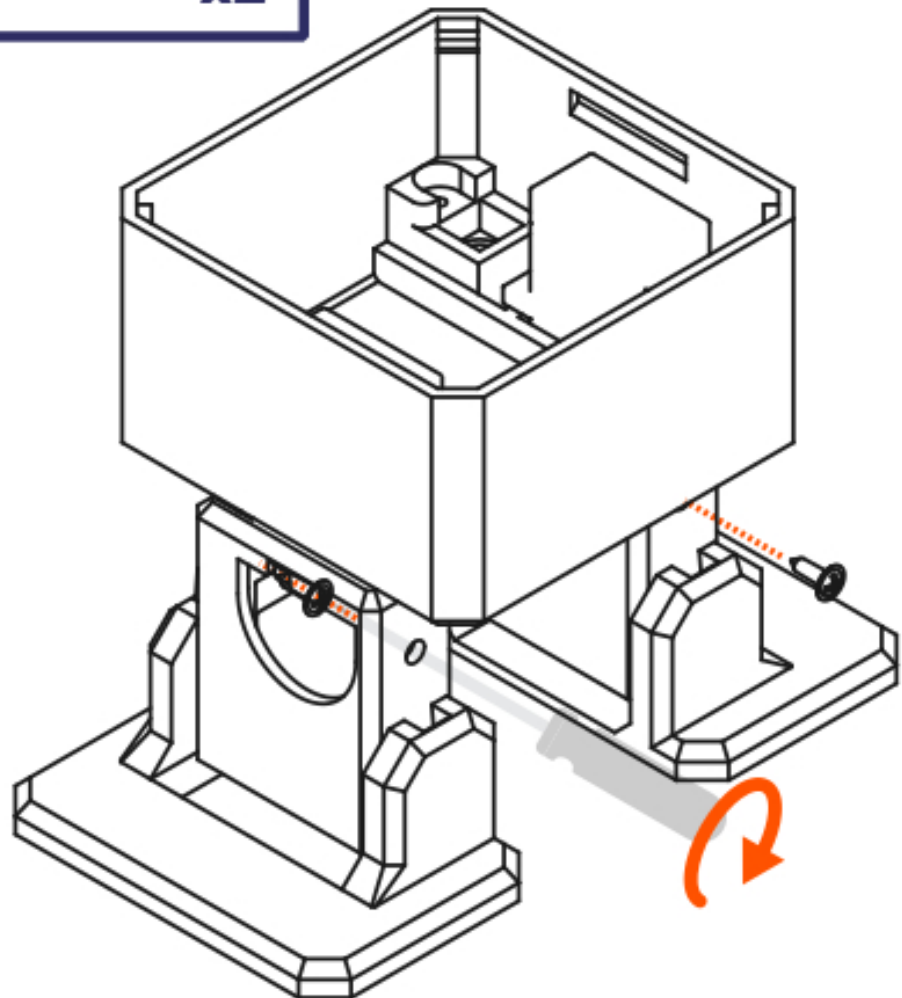
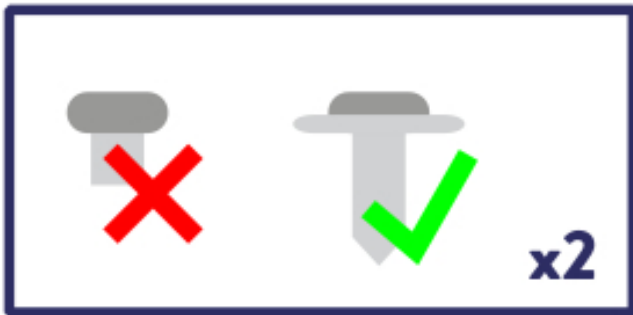


11



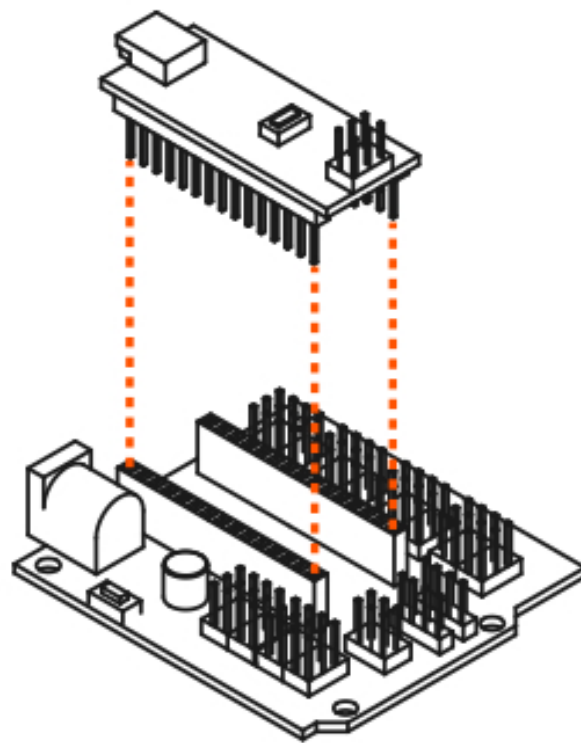


12





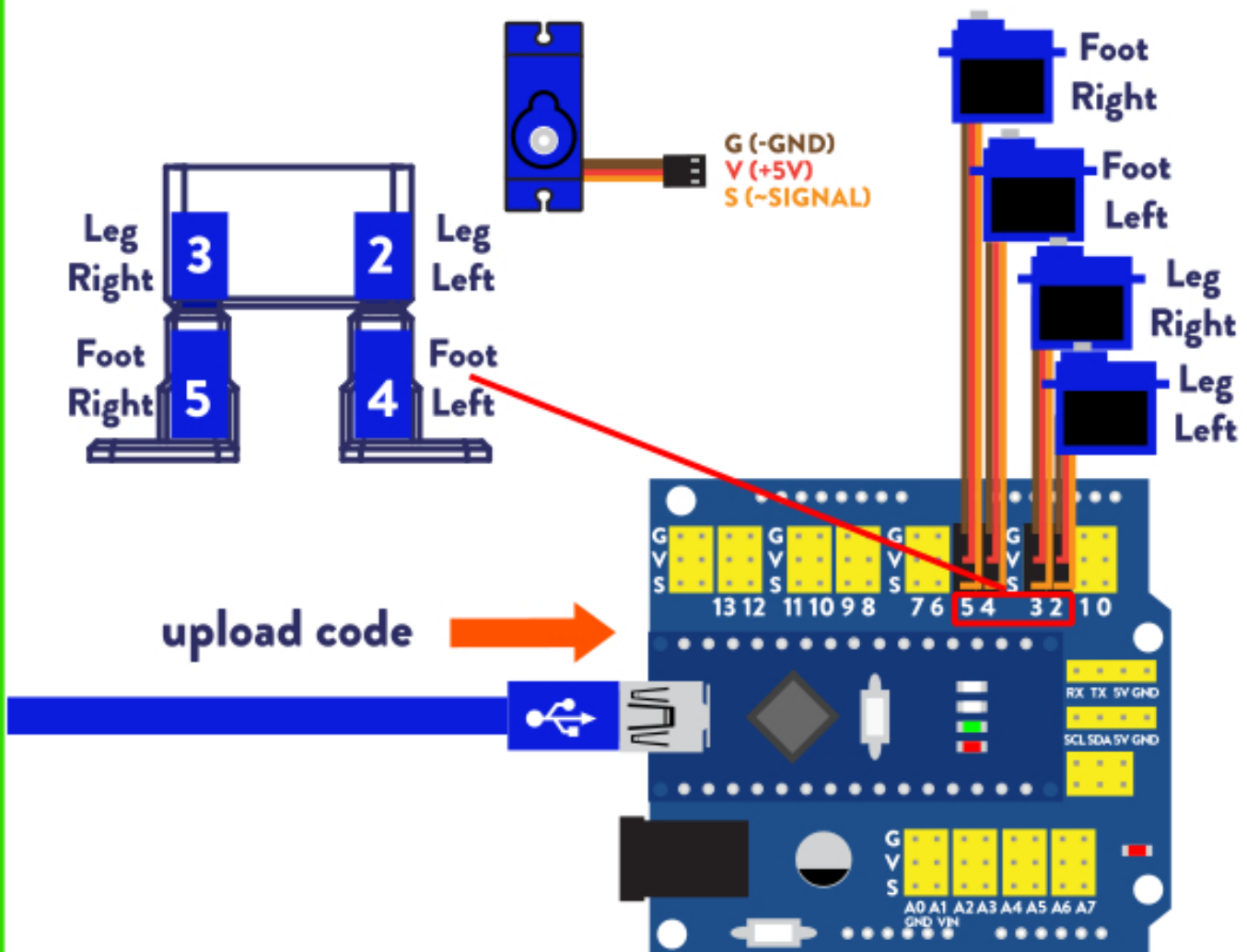
13





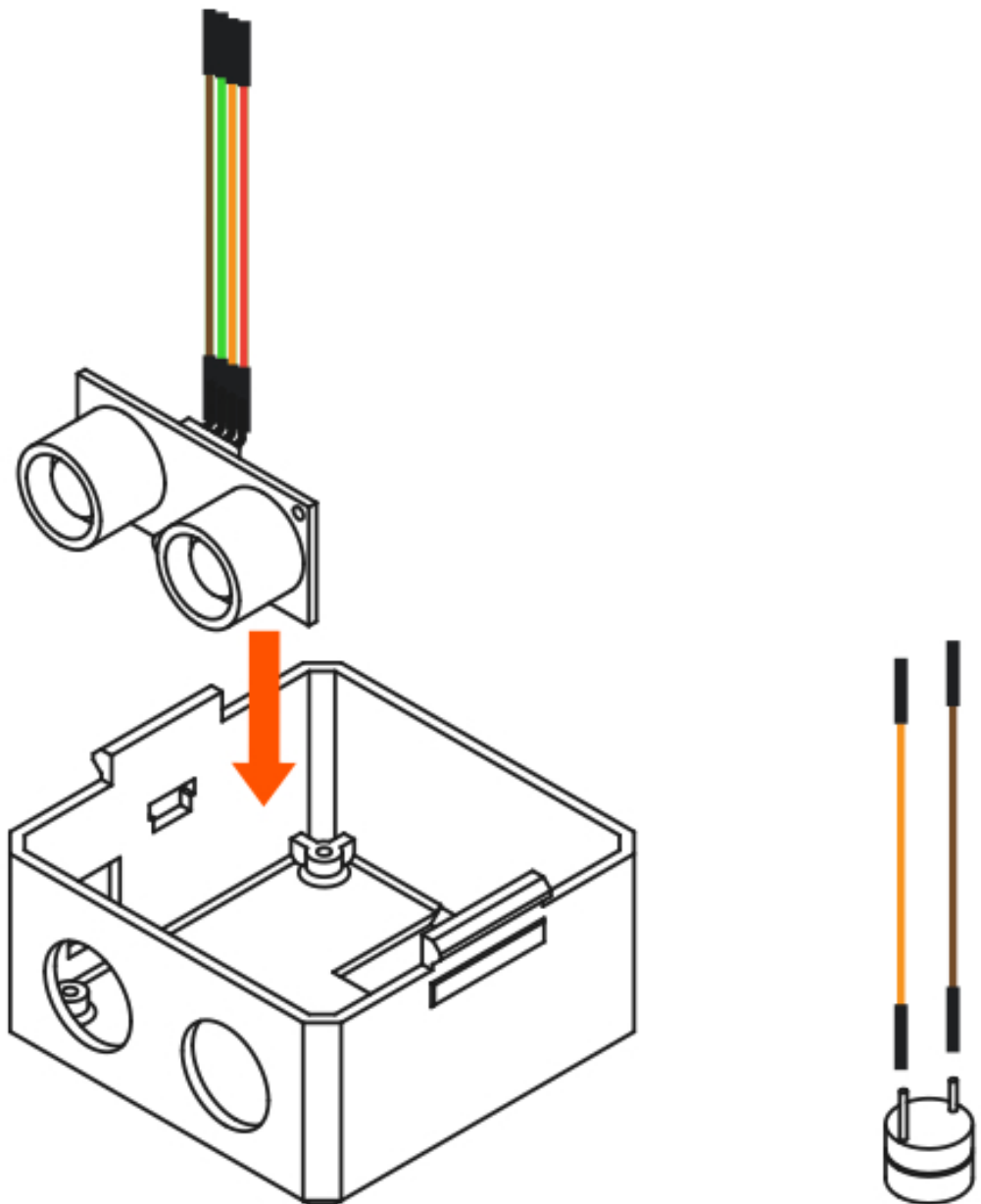
14

<https://wikifactory.com/+OttoDIY/otto-diy>



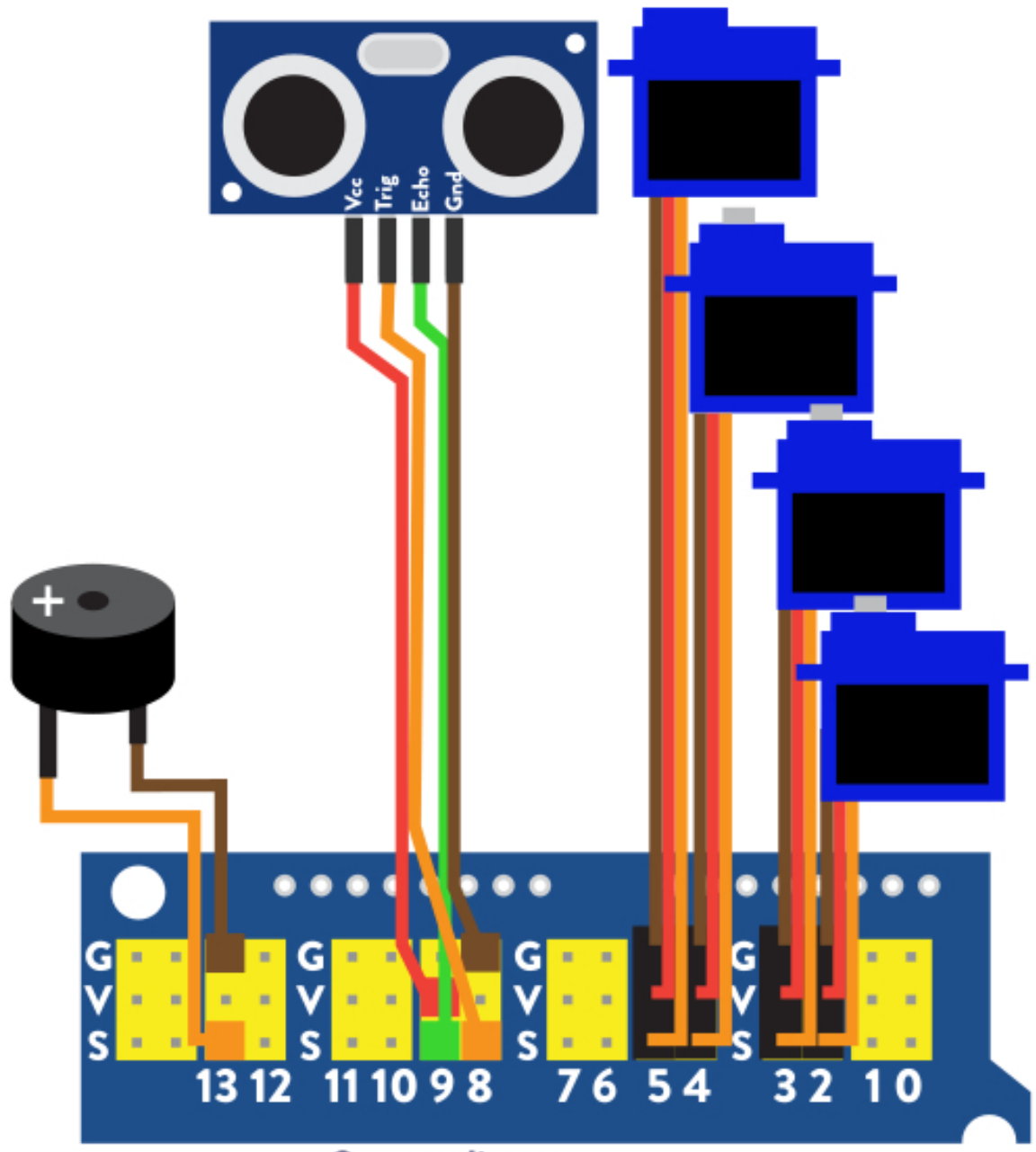


15



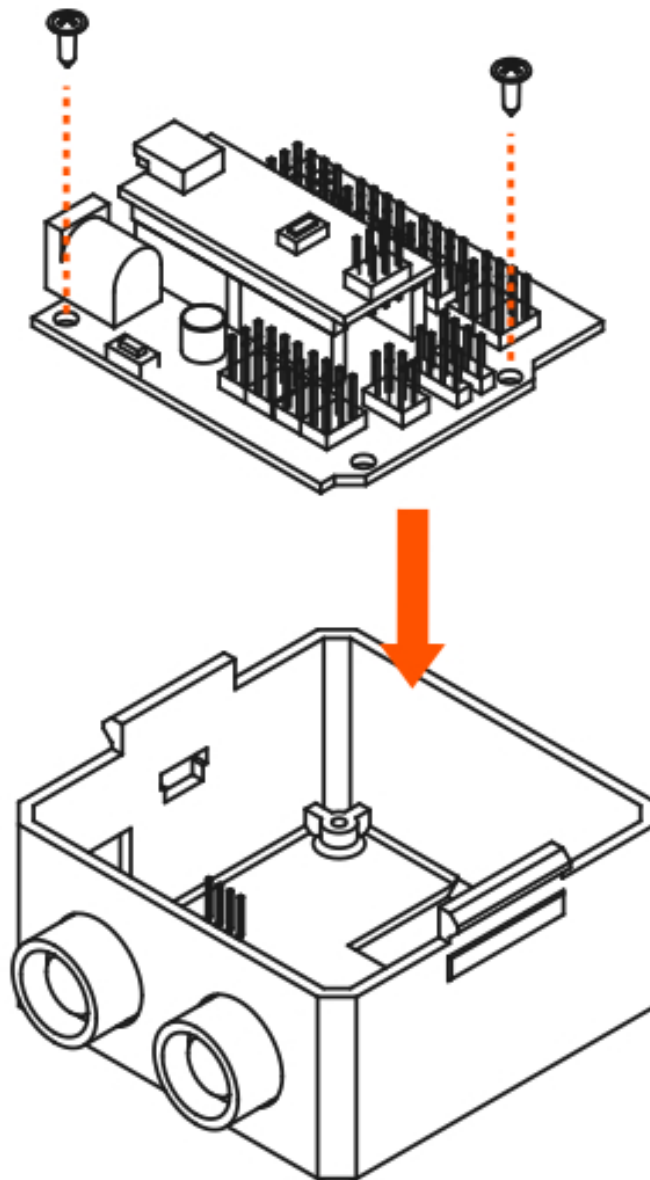


16



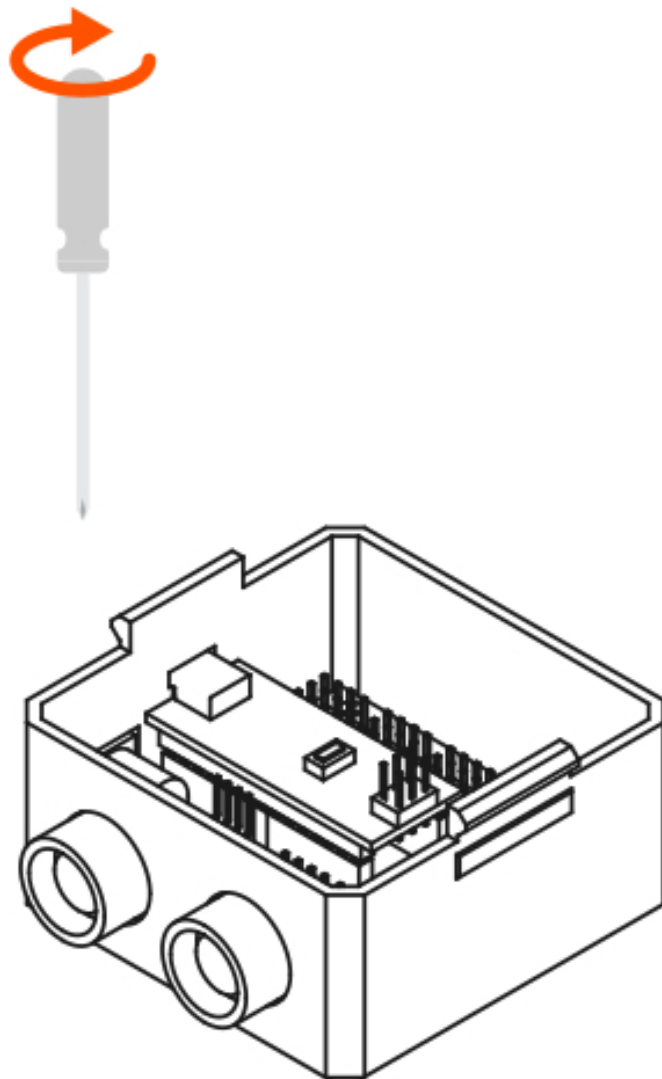


17



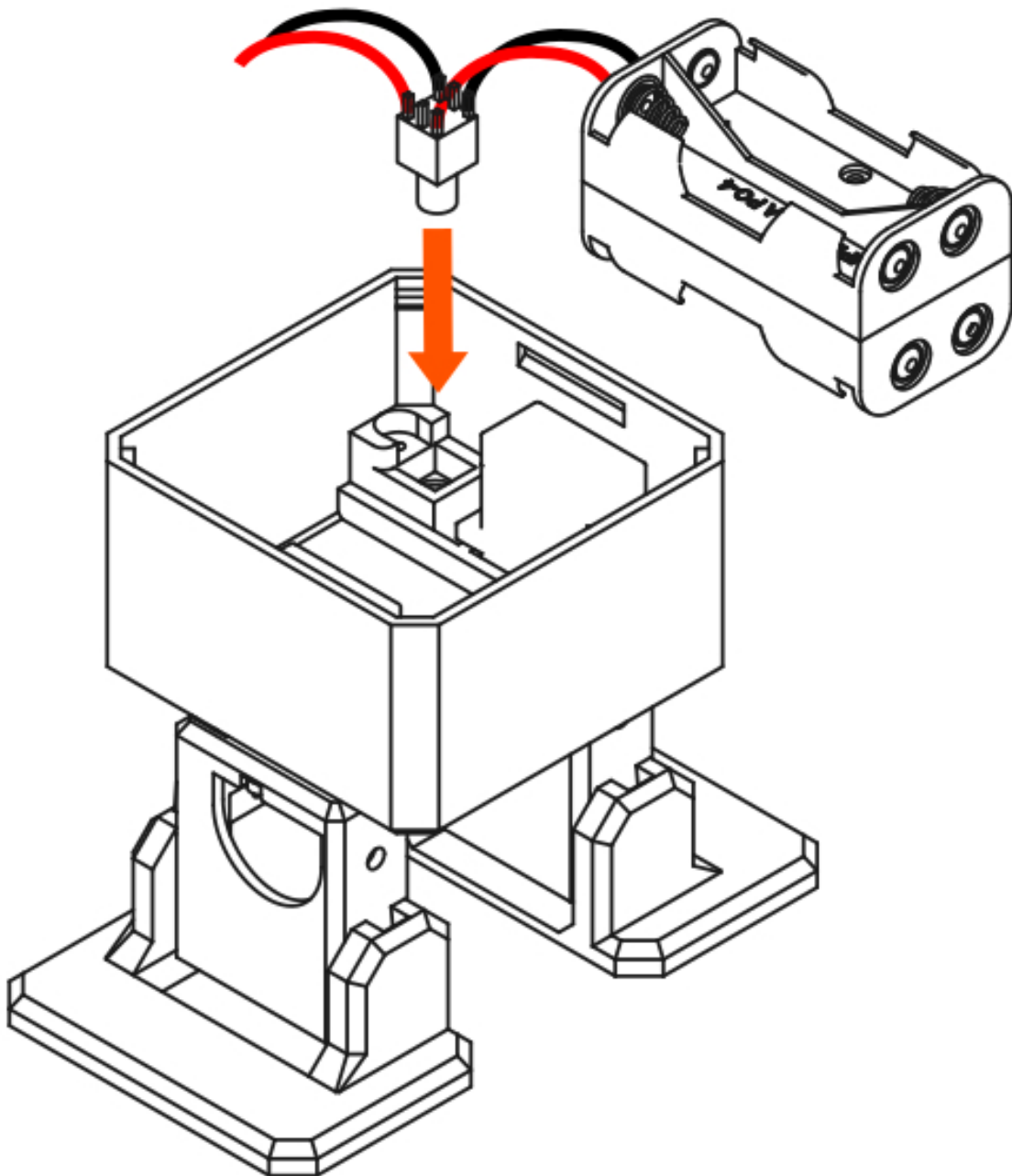


18



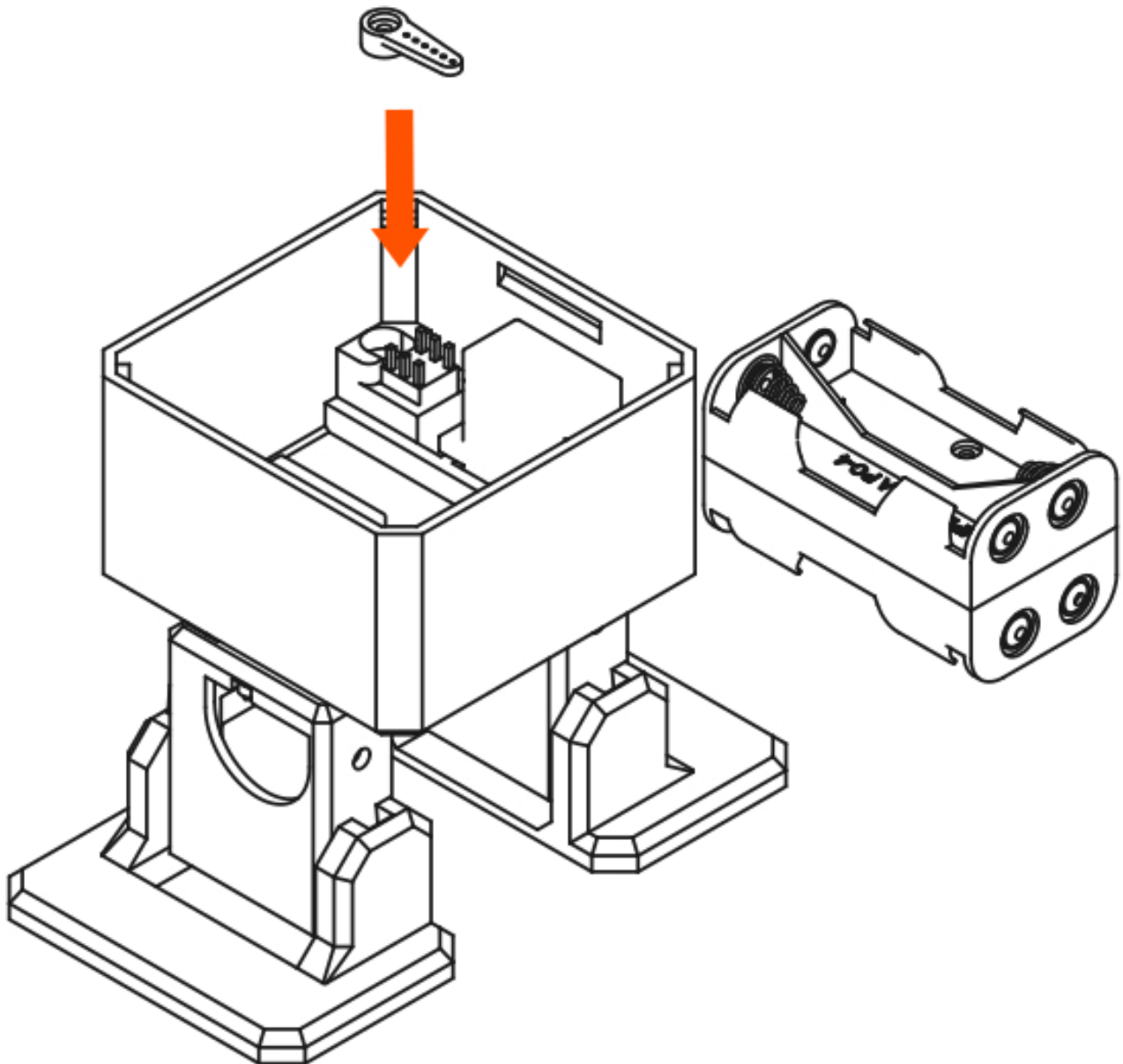


19



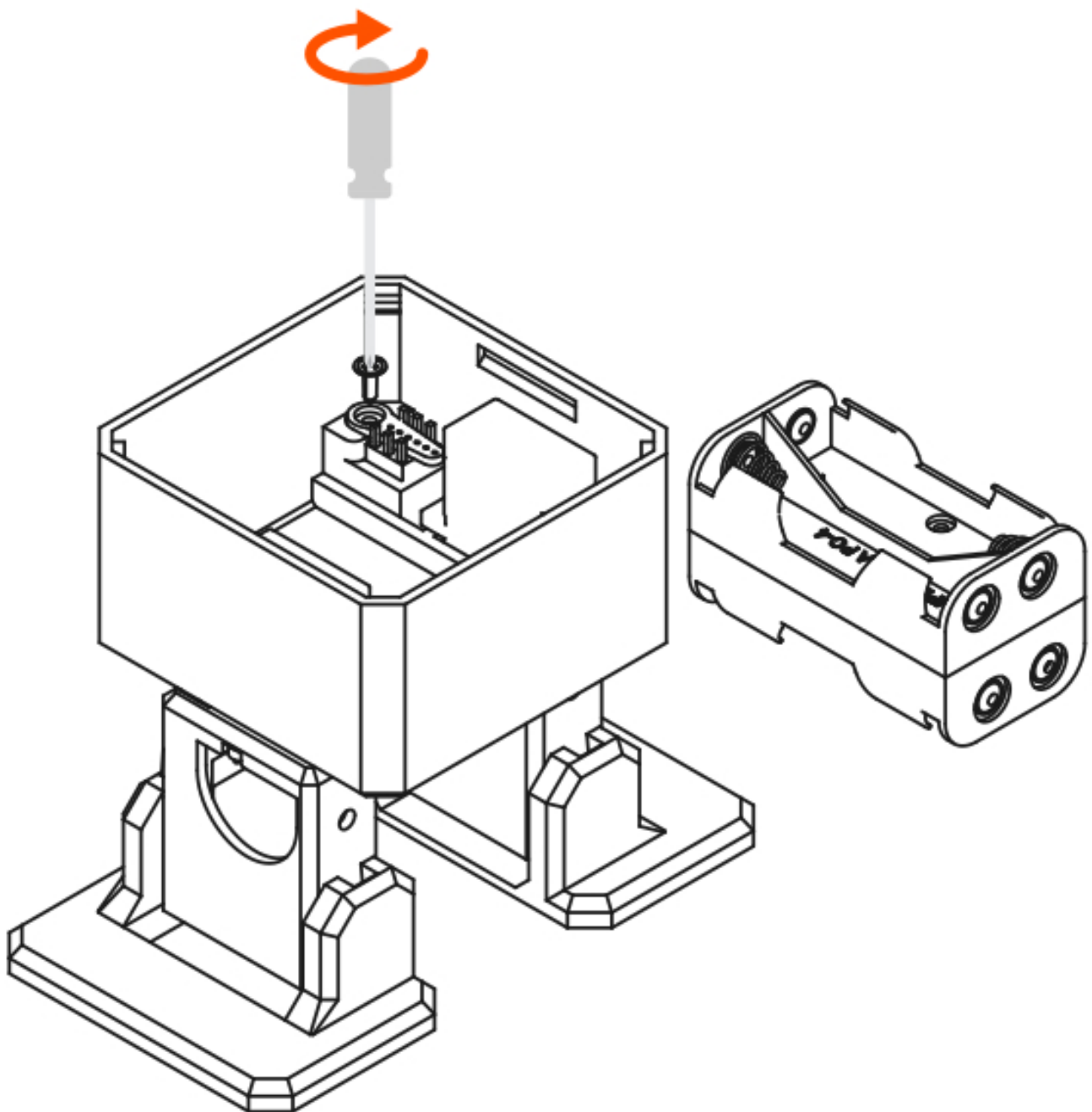


20





21





22

Alkaline batteries option

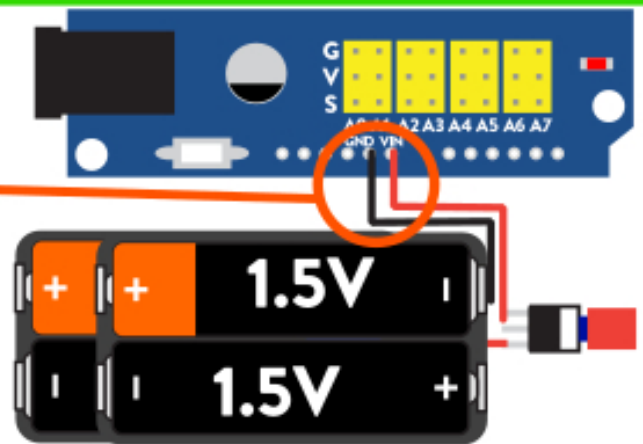


AA

$1.5V \times 4 = 6V$



VIN

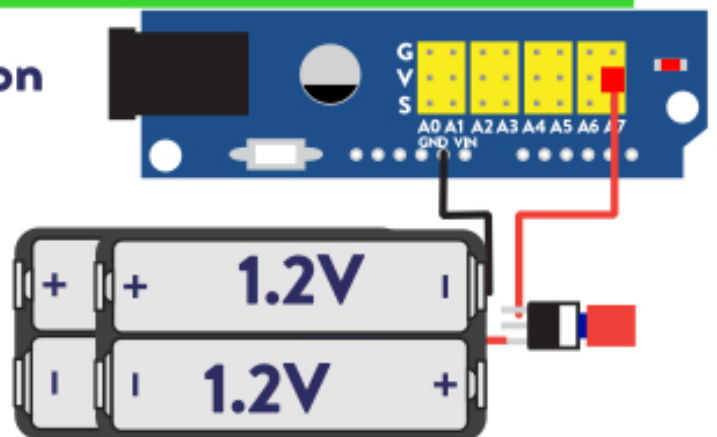


Ni-Mh rechargeable option



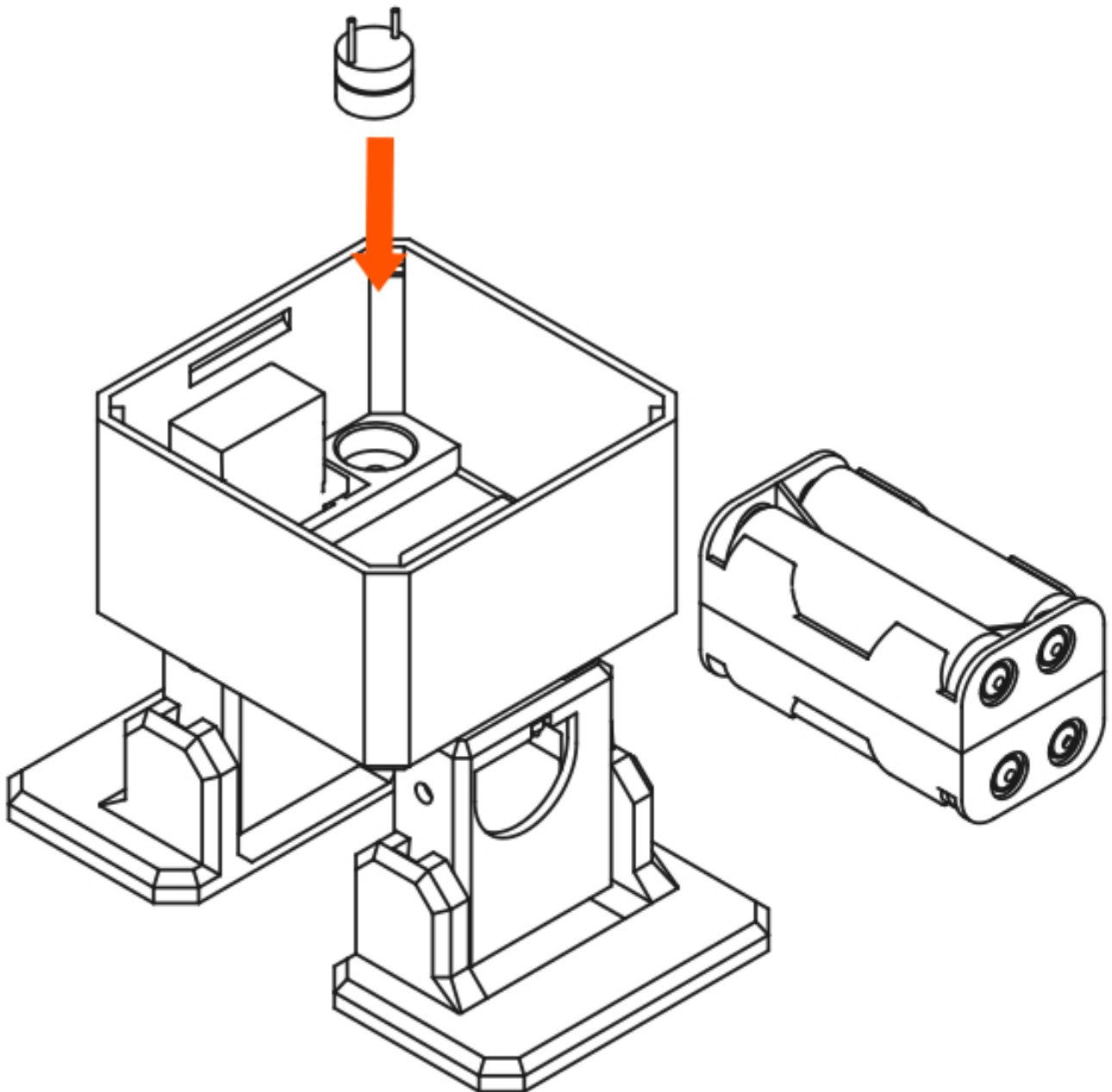
AA

$1.2V \times 4 = 4.8V$



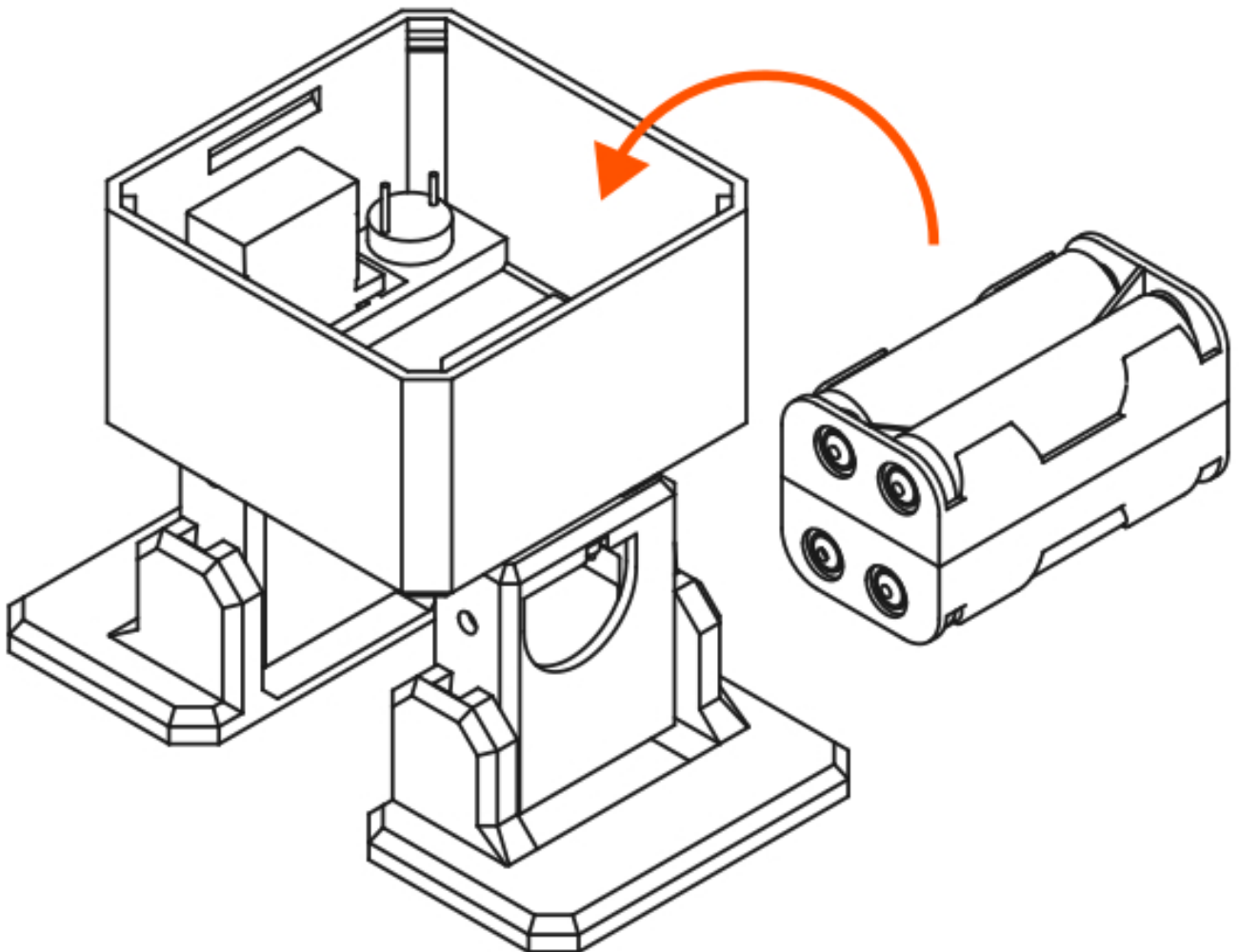


23



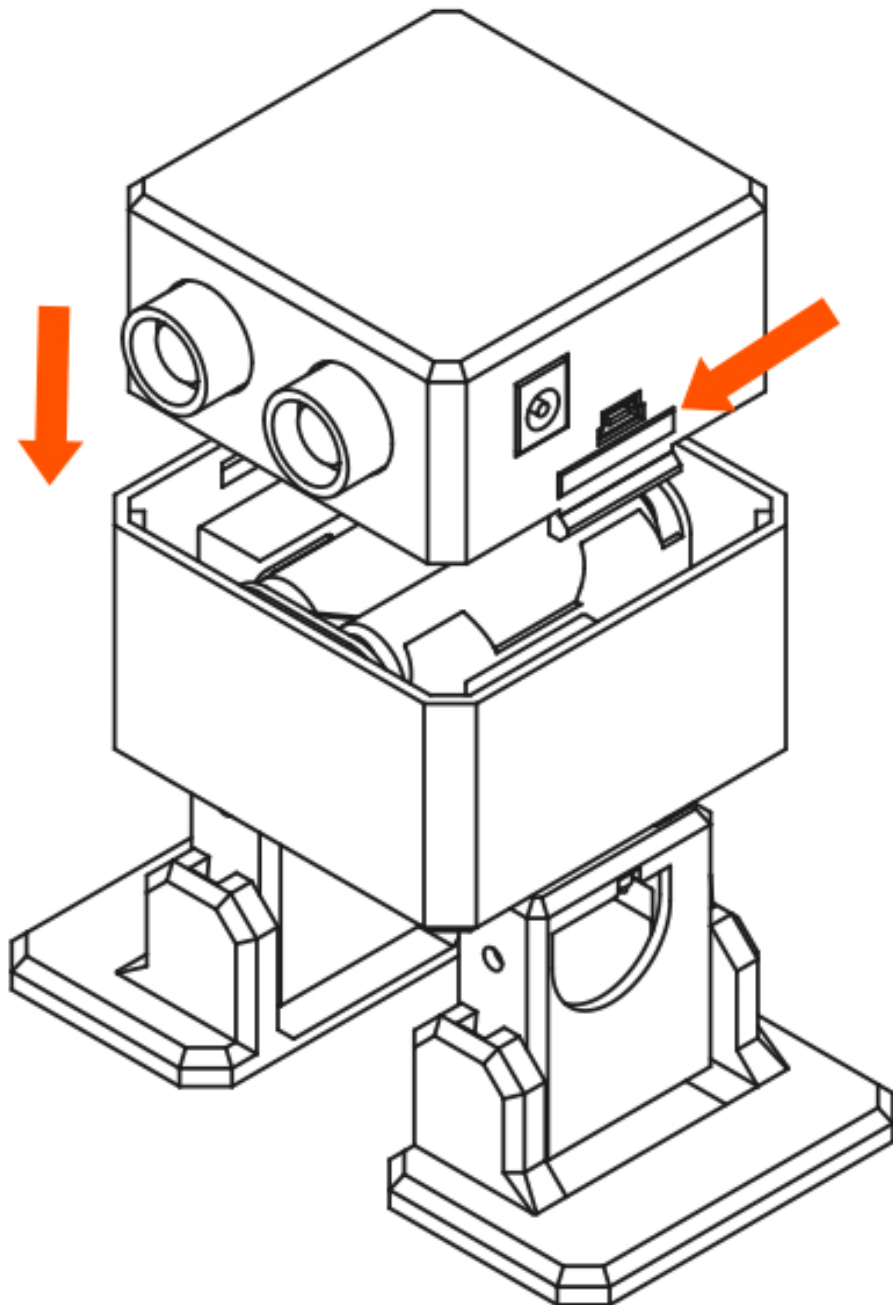


24





25





26



ottodiy.com/#join-us

